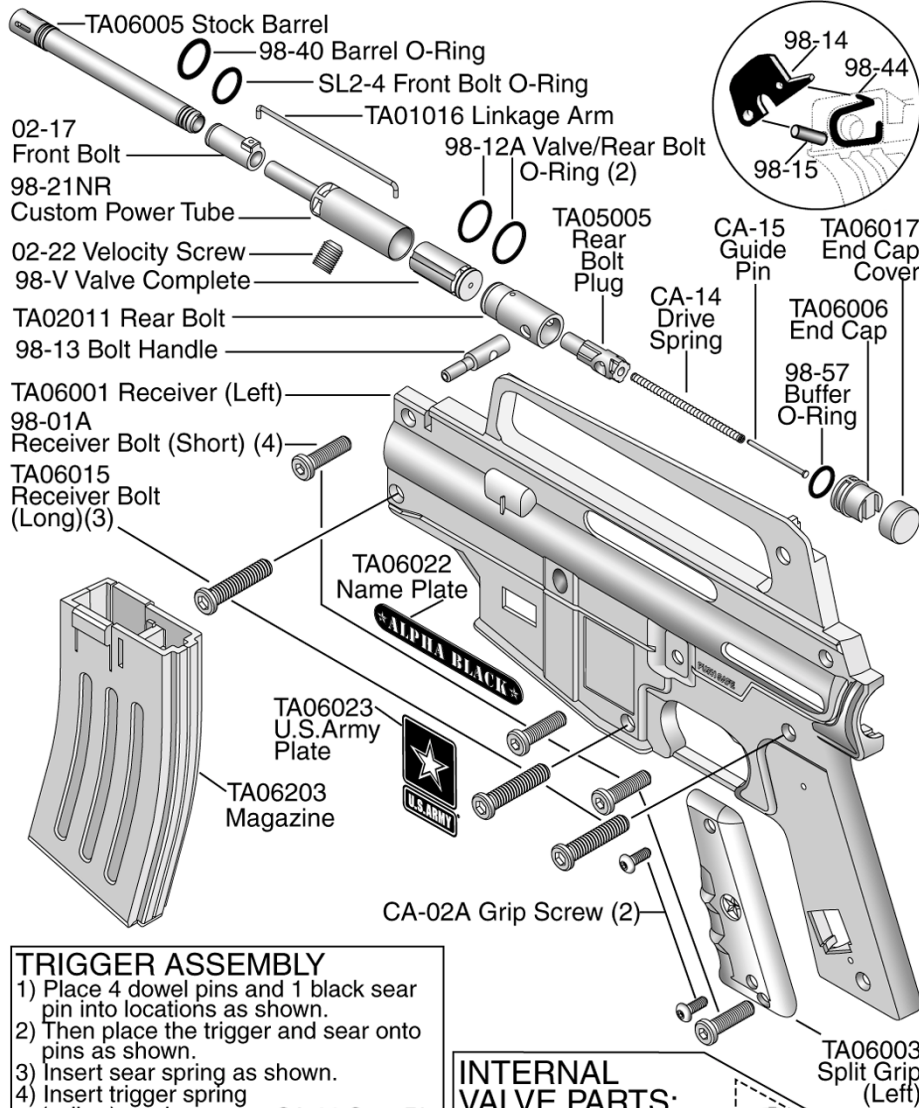


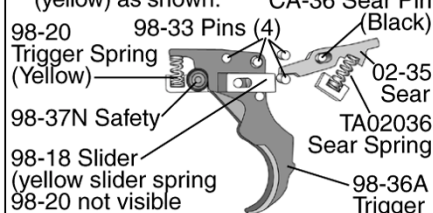
# ★ALPHA BLACK★

## Basic Parts List

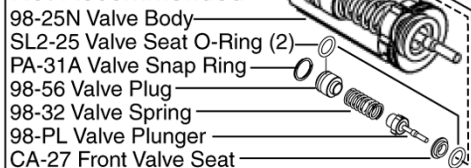


### TRIGGER ASSEMBLY

- 1) Place 4 dowel pins and 1 black sear pin into locations as shown.
- 2) Then place the trigger and sear onto pins as shown.
- 3) Insert sear spring as shown.
- 4) Insert trigger spring (yellow) as shown.



### INTERNAL VALVE PARTS: Valve Disassembly Not Recommended



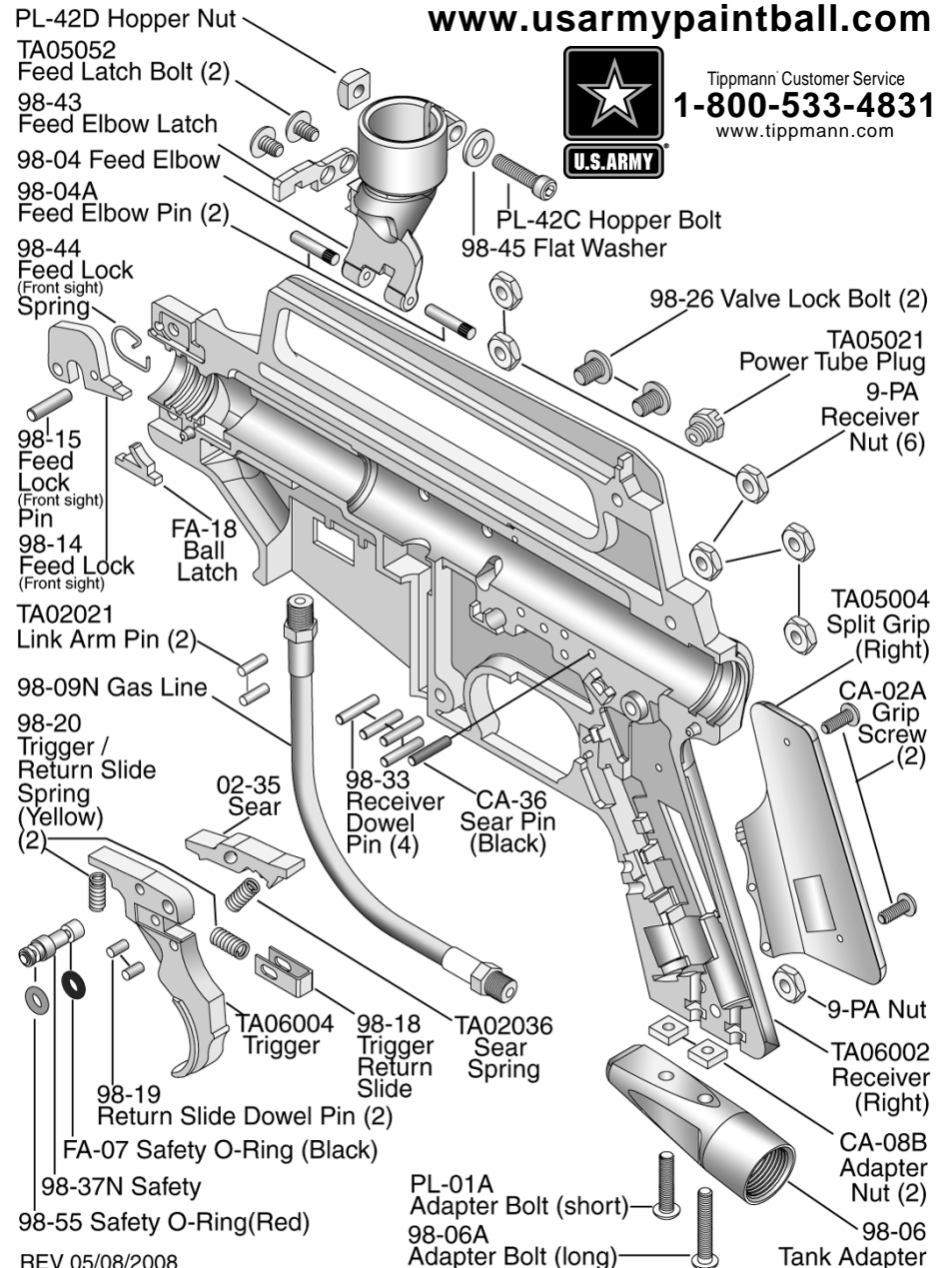
## WARNING

DO NOT DISASSEMBLE THIS MARKER WHILE IT IS PRESSURIZED WITH AIR. DO NOT PRESSURIZE A PARTIALLY ASSEMBLED MARKER.

[www.usarmypaintball.com](http://www.usarmypaintball.com)



Tippmann Customer Service  
**1-800-533-4831**  
[www.tippmann.com](http://www.tippmann.com)



REV 05/08/2008

**1-800-533-4831** • [www.tippmann.com](http://www.tippmann.com)